

GAUER
FLO-RAK
 a division of Gauer Metal Products, Inc.

**INSTALLATION FOR KD
 FLO-RAK SHELF USING
 ANGLE ADAPTER STRIPS**

ALWAYS CONSULT APPROVAL DRAWINGS FOR SPECIFIC DETAILS ABOUT YOUR INDIVIDUAL SHELF DESIGN. THESE INSTRUCTIONS ARE MEANT AS A GENERAL GUIDE FOR INSTALLATION, AND DOES NOT SHOW THE DETAILS OF YOUR ACTUAL DESIGN.



FIG. 1A

Mount the Angle Adapter Strips to the front holes of the structural pallet rack posts, which are generally on 4 inch centers (*shown in figure 1A*). This typically is done using ½ inch bolts (the length varies) and nuts which are not provided by Gauer. Be sure to mount the adapter strips in all of the holes that can match up to the holes in the racking.

The FRZ Shelf Clips are often used to engage shelf notches with the adapter strips. However, Gauer's E-FRZ Shelf Clips are used sometimes used in heavier applications. Having the shelf clips mounted properly allows your shelf ¾ inch vertical adjustability, which makes it easy to set an optimal pitch.

The G-FRZ Intermediate Shelf Clips (*shown in figure 1B*) are also used in some shelf layouts. These clips are attached in the same manner, are used in matched pairs, and allow for ⅜ inch adjustability.



FIG. 1B

Remember the minimum recommended pitch of the shelf frame is 1 inch in rise of height per every 1 foot of mounting depth. This should allow a consistent product flow, however, it is recommended that the product be tested for rollability prior to deciding a permanent pitch for an entire project.

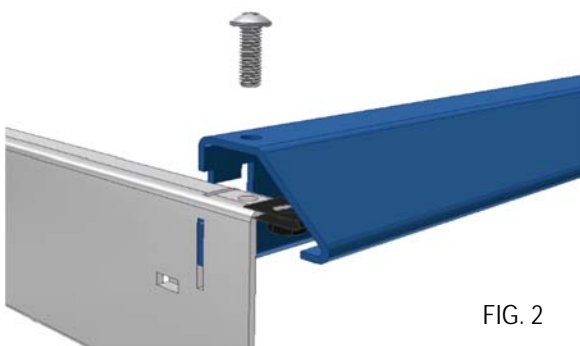


FIG. 2

To begin shelf frame assembly, locate and install the black No-Slip Clip Nuts onto the side members. These will slide into place in both the front and rear of each side member. The threaded hole in the NSCN will match up with the round hole in the top of the side member.

Then, slide the openings of the front member onto the hook tabs of the side members. This is done in the same manner with either traditional front or knuckle front members. The KD Screw should be loosely fastened at this time, and be tightened when the screws are attached in the rear.

Next lay all necessary cross member channels in between the interior edges of the side members. These will be set in place later, but having them within the side member channels makes the installation process much easier.

Now slide the openings of the rear member over the hook tabs on the side members in the same manner that you installed the front members. Tap the front and rear members with a rubber mallet to secure them into place.

Finally, fully secure the KD Screws into black No-Slip Clip Nuts that are in place on the top of the side members.

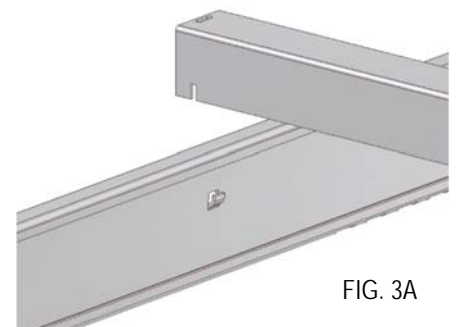


FIG. 3A

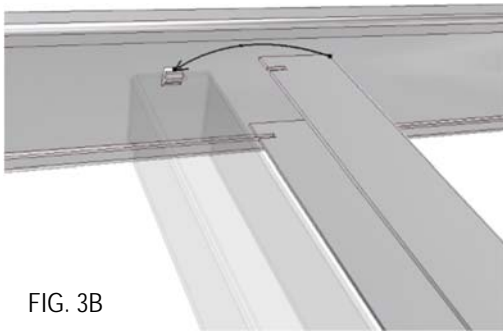


FIG. 3B

At this time you may “roll” the cross members into place, while mounting them using the slot on the top of the channel into the “finger” extended from the inside of the side member (as shown in figure 3B).

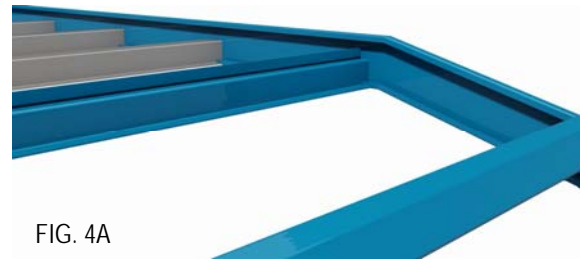


FIG. 4A

In the case of a “Knuckle Front” option, you will have a (usually painted) cross member with a “J” shaped piece attached. This Knuckle Cross Member is used as the transition piece between the Flo-Trak (or Flo-Bed) and the galvanized steel picking tray. It will be installed with the higher side of the “J” facing the front (pick side) of the shelf (as shown in figure 4A).

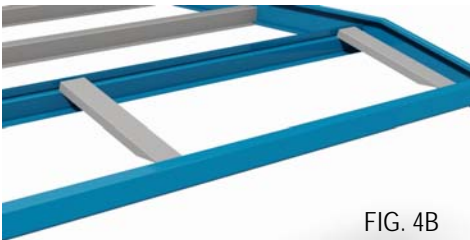


FIG. 4B

Next lay the support strips in place (as shown in approval drawings) with the flatter side of the channel facing the front of the shelf (as shown in figure 4B).

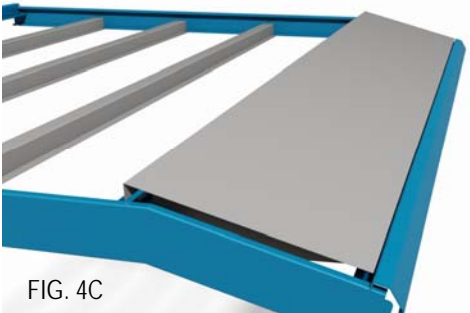


FIG. 4C

Then lay the knuckle tray on to the support strips with the angled end on the high side of the knuckle, between the support strip and the “J” portion of the knuckle cross member (as shown in figure 4C).

In the case of an “Impact Tray” option, you will attach the tray in a very similar manner to attaching the front and rear members. The tooth portion of the tray will be slid under the top lip of the side member and sit in the “finger” of the side member. The top portion of the tray will sit on top of the side member, while the rear hole will be used to fasten the screw and NSCN as was done to the front member.

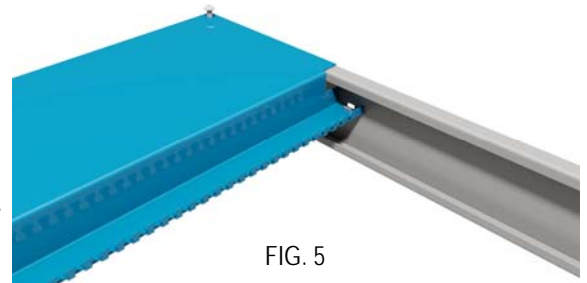


FIG. 5

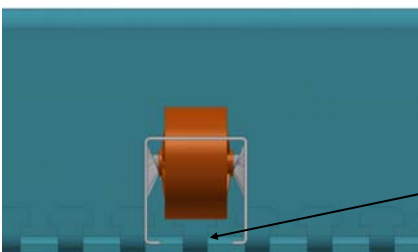


FIG. 6A

Install Flo-Trak by squeezing the bottom of each piece and inserting into the teeth of the front and rear members, by “clicking in” to the rectangular holes in the Flo-Trak with 1 tooth between them (as shown in figure 6A and figure 6B).

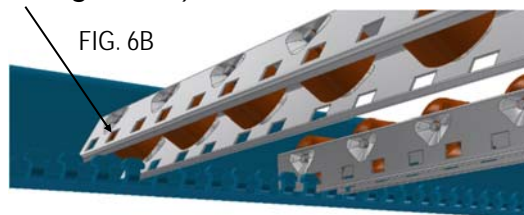


FIG. 6B

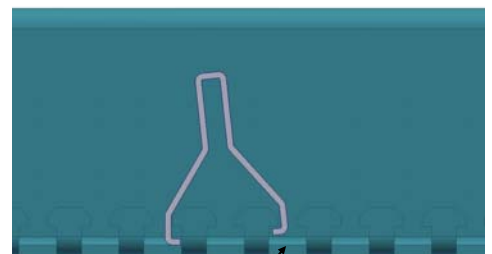


FIG. 6C

Install guide (or lane dividers) by opening or “flexing” of each piece over 2 teeth of the front and rear members (as shown in figure 6C).



FIG. 7

The FRZ Shelf Clips should be attached with the 3 prongs (4 prongs on E-FRZ Clip) passing through the slit slots in the adapter strip. Place the assembled shelf on the protruding portion on the top of the clip so it passes through the notch of the side members (as shown in figure 7). Please note that G-FRZ Intermediate Clips do not have a protrusion on the top of the clip it simply holds the side.