

AMERICAN MADE
High Quality Design

STEEL AXLE FLO-TRAK

Secret Formula

- Insert Strong **IMPACT RESISTANT** Steel Axles Into Sturdy Gauer® Plastic Rollers
- Assemble Into Gauer® Industry Proven Flo-Trak



Results !!!

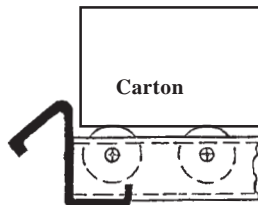
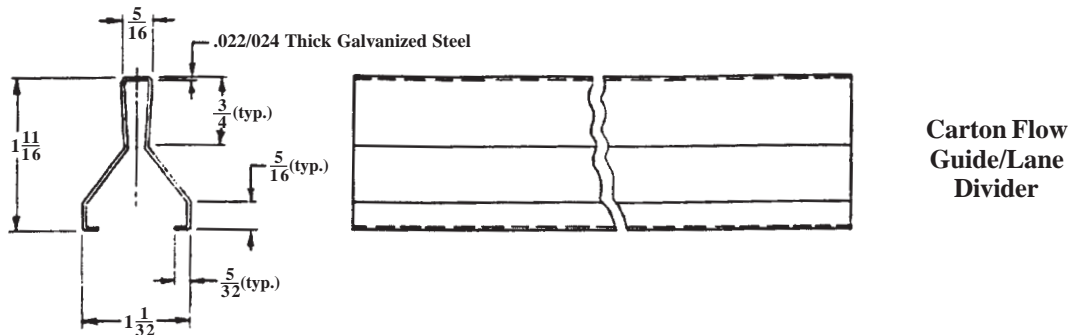
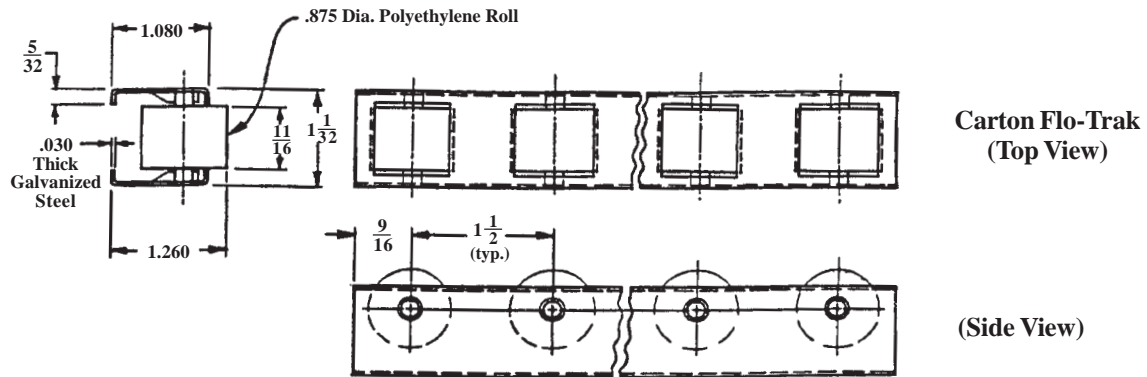
Super Flo-Trak
For **HEAVY DUTY**
Carton Flow



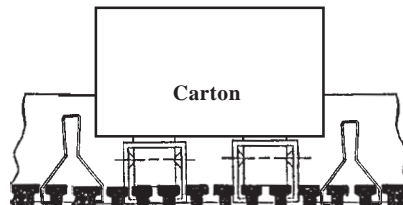
Also Available
In Standard
Plastic Rollers



STEEL AXLE FLO-TRAK



Front Shelf Support Member — Side View



Front View

- No mounting hardware required
- Quick adjustability for various carton sizes
- 100% in-house manufacturing for quick delivery
- Staggered wheel configuration available
- Easy installation
- Excellent rollability

Gauer Metal Products, Inc., the *original* carton flow manufacturer, exemplifies over 50 years of expertise in the areas of custom metal fabrication and material handling systems.

Gauer takes pride in providing personal attention and close customer interaction, for satisfied results. Our immediate response to customer needs and inquiries, earns us long-term relationships with both new and existing clients.